



+ 4 screws
+ 5 minutes
= 60 kg **FIXED**

NEW

Rigips Habito

Strong durable walls



Practical space saving family solutions for your home.

Everybody wants to feel good at home.

People who want to stay in the same home for many years, need innovative building solutions to be able to change the design of their rooms whenever they want.

Habito – New wall solutions for lifetime lasting homes.

Habito is engineered to support the way you live. The secret of its effectiveness lies in its innovative board technology which provides a considerably enhanced performance compared with standard plasterboard. Habito gives homeowners the freedom to make walls their own, installing or removing fixings depending on their own needs.



Habito – interior partitions for your rooms

1. Partition without insulation for living rooms adjacent to dining rooms or kitchens.
2. Partition with insulation for corridors, living rooms, dining rooms.
3. Partition with double layer of plasterboards with insulation, ideal for bedrooms.
4. Partition for bathrooms with Habito and Blue Acoustic moisture resistant boards.



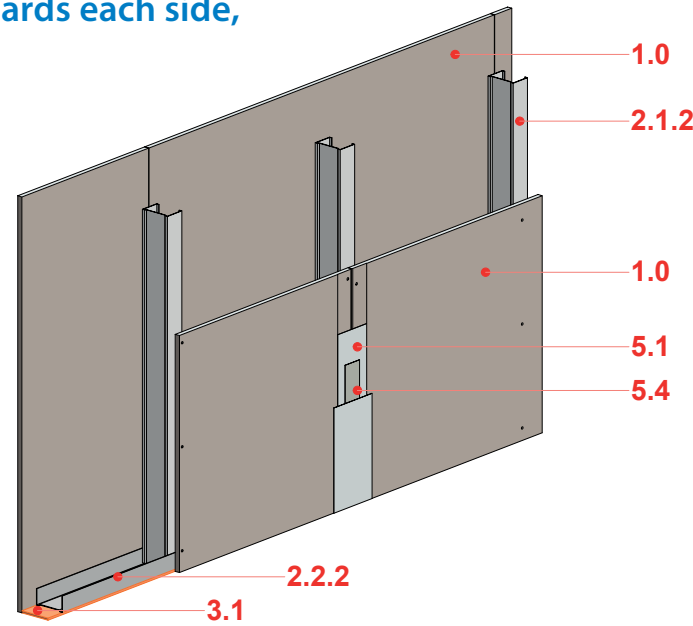
Habito - Strong and durable partitions

It's inevitable that the walls in your home will get knocked, whether it's the kids playing, furniture being moved or just simple wear and tear. Our Habito enhanced walls offer a superior resistance to these everyday bangs and are also reassuringly solid.

1. Partition with single layer of Habito boards each side, without insulation

Excellent for use in living rooms adjacent to dining rooms or kitchens without sound insulation requirement. Fixing capability: 15kg directly to your wall using only a standard wood screw (5x50 mm).

- ✓ Profiles: CW 50 and UW 50
- ✓ Partition wall thickness: 75 mm
- ✓ Fire resistance: EI 30
- ✓ No sound insulation
- ✓ Max. height in homes: 3 m
- ✓ Fixing capability: 15kg directly to your wall using only a standard wood screw (5x50 mm)

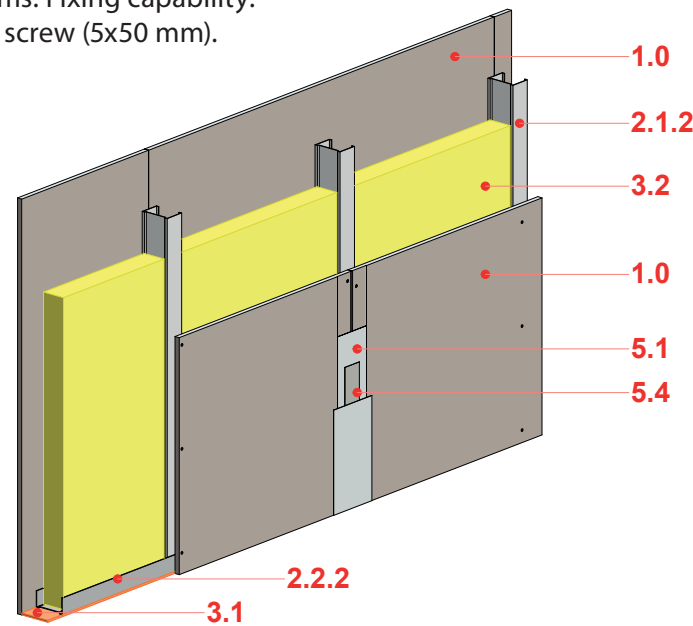


2. Partition with single layer of Habito boards each side with insulation

Excellent for use in corridors, living rooms, dining rooms. Fixing capability: 15kg directly to your wall using only a standard wood screw (5x50 mm).

- 2A: Partition thickness: 75 mm (built on CW 50 and UW 50 profiles)
- ✓ Profiles: CW 50 and UW 50
 - ✓ Partition wall thickness: 75 mm
 - ✓ Fire resistance: EI 45
 - ✓ Sound insulation: $R_w = 46$ dB
 - ✓ Max. height in homes: 3 m

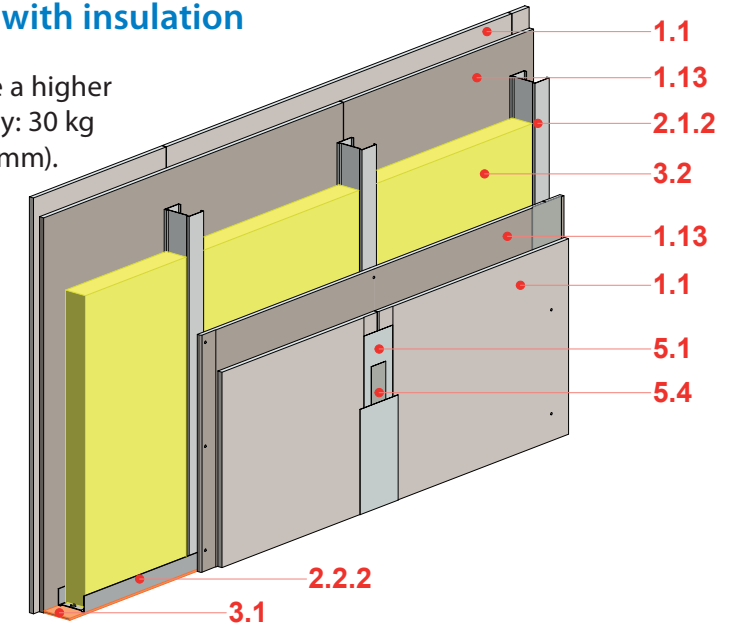
- 2B: Partition thickness: 100 mm (built on CW 75 and UW 75 profiles)
- ✓ Profiles: CW 75 and UW 75
 - ✓ Partition wall thickness: 100 mm
 - ✓ Fire resistance: EI 45
 - ✓ Sound insulation: $R_w = 47$ dB
 - ✓ Max. height in homes: 4,5 m



3. Partition with double layer of boards with insulation

Excellent for use in bedrooms and rooms where a higher level of sound insulation is required. Fixing capability: 30 kg directly to your wall using only a wood screw (6x50 mm).

- ✓ Profiles: CW 75 and UW 75
- ✓ Boards: 2-2 layer of boards each side (Habito 12,5 + RB 12.5 normal plasterboard)
- ✓ Partition wall thickness: 125 mm
- ✓ Fire resistance: EI 60
- ✓ Sound insulation: $R_w = 56$ dB
- ✓ Max. height in homes: 5,5 m

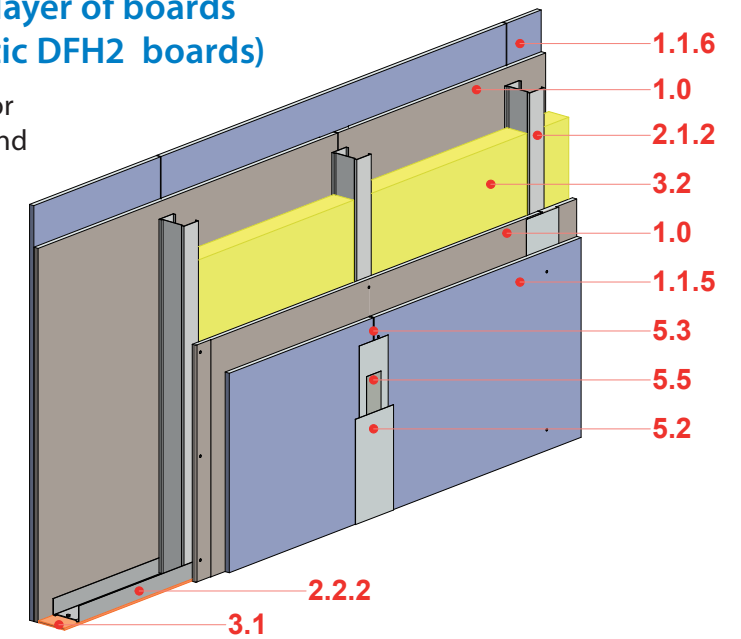


4. Partition for bathrooms with double layer of boards with insulation (Habito and Blue Acoustic DFH2 boards)

Excellent for separating bathrooms and bedrooms or rooms where a higher level of moisture resistance and sound insulation is required.

- ✓ Profiles: CW 75 and UW 75
- ✓ Boards: 2-2 layer of boards each side (Habito 12,5 + Blue Acoustic DFH2 12.5)
- ✓ Partition wall thickness: 125 mm
- ✓ Fire resistance: EI 90
- ✓ Sound insulation: $R_w = 56$ dB
- ✓ Max. height in homes: 5,5 m

In case of bathrooms the use of double studs partitions is highly recommended.



Habito partitions

	Dimension of Profile/partition thickness	Layers of plasterboard	Partition height (distance of CW profiles 60 cm)	Insulation: Isover Akusto thickness	Fire resistance	Partition height in case of fire resistance	Impact resistance: -soft body- (ETAG 003)	Impact resistance: -hard body- (ETAG 003)	Sound insulation: R_w (R_w+C)
	[mm]	[mm]	m	[mm]	EI [perc]	m			[dB]
1	CW 50/75	2x Habito DFRI 12,5	3	no insulation	EI 30	3	NPD	NPD	-
2A	CW 50/75	2x Habito DFRI 12,5	3	50	EI 45	3	NPD	NPD	46 (42)
2B	CW 75/100	2x Habito DFRI 12,5	4,5	75	EI 45	4	CLASS II.	CLASS I.-II.	47 (45)
3	CW 75/125	2 (Habito DFRI 12,5 + RB 12,5)	5,5	75	EI 60	4	NPD	NPD	56 (53)
4	CW 75/125	2 (Habito DFRI 12,5 + Blue Acoustic RFI 12,5)	5,5	75	EI 90	4	NPD	NPD	56 (53)

Nr.	Product		
1.0	Habito board DFRI 12,5	2.2.2	R-UW RigiProfile
1.1	RB (A)12,5 - normal plasterboard	3.1	Rigips self adhesive tape for profiles
1.1.5	Blue Acoustic RF (DF) 12,5 - acoustic plasterboard	5.2	Vario Joint Filler
1.1.6	Blue Acoustic RFI (DFH2) 12,5 - moisture resistant acoustic plasterboard	5.5	Rigips glasfibre tape
2.1.2	R-CW RigiProfile	3.2	Isover Akusto insulation

Habito system elements



Screw it! Fix it! Ready to use!

The strong surface of our Habito enables you to fix shelves, curtain poles and TV, without the need for drills or specialist fixings. You can simply screw directly into the wall surface, making DIY easy and giving you more freedom to have your home just the way you want it.

Habito is a radically different plasterboard. Habito allows you to fix up to 15kg directly to your wall using only a standard wood screw. It is also extremely durable and damage resistant compared to standard walls.

A no. 10 woodscrew (5x50 mm) will provide a safe working load (SWL) of up to 15 kg per fixing.

We recommend that you follow the manufacturer's guidance as to the number of fixtures required to mount a fixture. Example: If a TV weighs 15kg with its bracket and the bracket accepts four fixings, you should use four screws, even though this provides 60kg safe working load.



Toolset for fixing at traditional partitions.



Toolset for fixing to Habito board.



Fixings / fixtures should not be made into damaged areas.



1 Kitchen Cabinet
+ 4 screws
+ 5 minutes work
= 60 kg FIXED



THE ROBUST BOARD

INCREASED FIXING
CAPABILITY



EXCELLENT SOUND
INSULATION

ENHANCED
SURFACE HARDNESS



NON-COMBUSTIBLE

HIGH IMPACT
RESISTANCE



ENVIROMENT FRIENDLY
AND HARMLESS

Saint-Gobain Construction Products Hungary Kft.

Central adress: H-2085 Pilisvörösvár, Bécsi út 07/5 hrsz.

Rigips Plasterboard Plant Hungary adress:

Halmajugra, Kültérület GPS: N 47.779445 • E 20.084270

 www.habito.hu  habito@rigips.hu  [youtube.com/RigipsHungary](https://www.youtube.com/RigipsHungary)

